

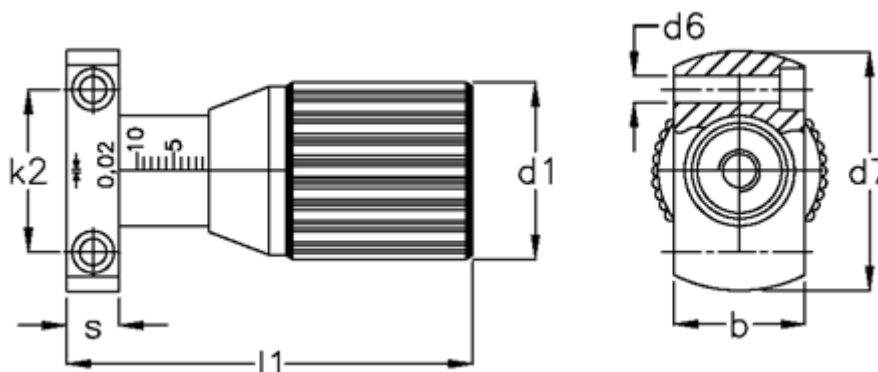
Data Sheet



Article number: 20619432

Description: E+G Control knob w/adjustable spindle
GN 727-27-B-SL - 10 rev. scale 0,1..0,9

Measures



$b = 20$	$h = 4.3$
$d1 = 27$	$k2 = 22$
$d2 = M 6$	$l1 = 54$
$d3 = M12x1$	$l2 = 19.5$
$d4 = 6.4$	$l3 = 37.5$
$d5 = 18$	$S = 10$
$d6 = 4.3$	$W = 10$
$d7 = 38$	